



Arizona Big Train Operators

Newsletter

Club web site: <http://azbigtrains.org>

October 2007 Volume 15, No 10

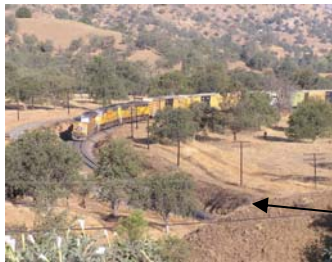
President's Message

By Bob Rauperstrauch

Before I get started telling about the memorable trip to see trains in California, I would like to thank Brian & Rebecca Casull for hosting the September ABTO meeting. It was interesting to see so many changes in the expansion and enhancements of this layout. The fabricated rock of Bruce Ambrose was a good example of realistic mountain and cliff faces used to camouflage the many grade elevation changes. Thanks again Brian and Rebecca for putting on a good show of trains mixed in with a little fantasy!

In October, we meet at Mike & Nancy Lewandowski's in Goodyear.

This is another good display of Ambrose's work with giant cliffs and trains on many levels. See you there!



Is this a little confusing?

Well, It's a sight to see mile long trains at the loop and it's worth the trip!

Entering the tunnel.

It's all one train coming around the hill.



Coming out of the tunnel, & hidden by the hill.



Tehachapi Loop

It was a fabulous trip this year to Tehachapi Loop. 26 ABTO and TGRS members ventured off in 3 rented vans to California headed up by **Rail Master**, Rich Hull of "**Rail Fan Tours**", he does a great Job. Our thanks to him for the time and effort coordinating all the hotel arrangements, van rentals, meal stops, train stops and layout tours making this another train trip to remember. More photos of layouts on page 4.

At the end of the month, don't miss Octoberfest at Mike and Nancy Lewandowski's home. His layout has really changed since the last meeting there, and you'll be amazed at the "before and after".

There is lots of interesting information in the newsletter, so be sure to get the Christmas Dinner information returned with your RSVP, check out the potential officers, and enjoy the interesting photos. When the trains run, we all have fun.

ABTO Board Members

President
 Bob Rauperstrauch

Vice President
 Glenn Sampson

Secretary
 Roy Towne

Treasurer
 Don Halver

Member at Large
 Gerry Pfeiffer
 480-924-8844
 gerry_pfeiffer@msn.com

Newsletter Editor
 Sandy Rauperstrauch

LAST MINUTE CHANGES
 PLEASE NOTIFY the
 PRESIDENT or a
 BOARD MEMBER, or the
 NEWSLETTER EDITOR with
 information concerning a time,
 date, location change or can-
 cellation, in order that all mem-
 bers can be notified by Email
 and the Calling Tree can be
 activated in a timely manner.

Constructive comments are
 always welcome!

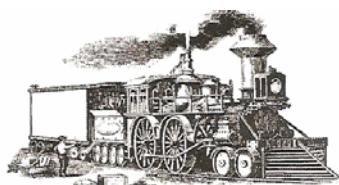
Calendar of Events
2007



Note the Date

This is a change

Oct	12	Noon	<u>McCormick Stillman Railfair</u> Module set-up
	13-14	10am-5pm	<u>McCormick Stillman Railfair</u> Module event
	20-21		<u>Botanical Garden</u> Module event
	27	11:00– 3:00pm	<u>ABTO General Meeting</u> Mike & Nancy Lewandowski
Nov	1		<u>ABTO Has Train Display at PCH</u>
	10	8:00am	<u>ABTO Board Meeting</u> 2730 W Bell Rd. - Phoenix
	17	8:30am	<u>ABTO General Meeting</u> Adobe Mt ABTO/AGRS joint breakfast meeting
	24-25	9:00am - 3:00pm	<u>Turkey Meet—Mesa</u> Jerry's Trains for kids
Dec			<u>NO ABTO Board Meeting</u> <u>No General meeting</u>
	1	5:00pm - 8:00pm	<u>Christmas Banquet</u> Landmark Restaurant, Mesa
	Sat 8th & Sun 9th Sat 15th & Sun 16th		<u>ABTO Christmas Open House Tours</u>
Jan	5	8:00am	<u>ABTO Board Meeting</u> 2730 W Bell Rd. - Phoenix
	19	TBA	<u>ABTO General Meeting</u> Dennis & Lizabeth Sirrine



2008 brings a new calendar and a new set of ABTO layouts to see. If you would like to host a meeting, please call Bob Rauperstrauch at 480-753-9690 or Glenn Sampson at 602-938-9752



NEWS ARTICLES FROM THE RR WIRE

by Mike Lewandowski

Last month we reviewed the technical specifications on the Direct Radio control concept using the DCC standards. Additional work continues on gathering manufacturer's commitment on using a standardize plug and play connector. This month we will review the manufactures that have this product working. The manufactures include: QSI Solutions, AirWire, and Aristo-Craft. QSI is a leader in premium sound & train control devices and has sold over one million sound systems world-wide. QSI's Quantum systems are known for their realism, reliability, and ease of use.

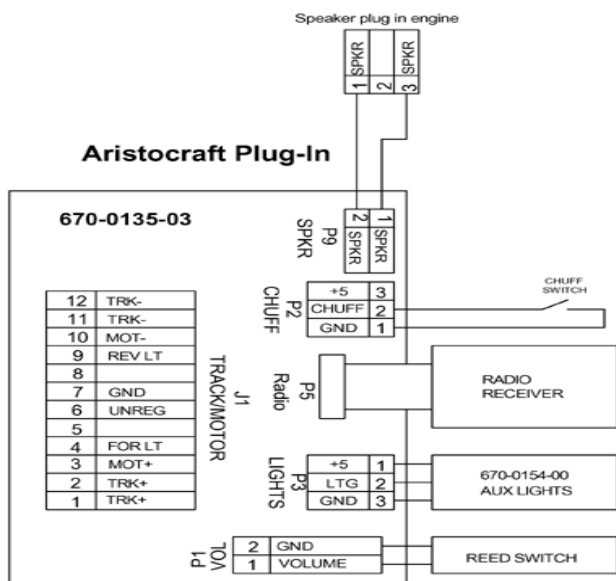
Quantum Aristo Sound Decoder

offers two types of a DCC motor and sound controller. On the left is the Quantum Aristo module and on the right is the Magnum universal module. The Magnum uses the Aristo decoder and a conversion plug assembly to create the generic format. Therefore, it is identical in features and slightly taller than the Aristo unit. Both are a dual decoder for operation under DC and DCC track power. Operation toggles automatically to DCC if DCC signals are detected.



Quantum GWire™ Receiver

-Compatible with CVP Products AirWire™* wireless DC/DCC throttles.



The QSI GWire™ receiver supports up to 28 functions and features a quick plug to connect to either the [Aristocraft](#) or [Magnum](#) G scale sound decoders listed below. Allows for use of AirWire hand held throttles. Next month what the user community is saying about this new technique? Checkout their website if you are interested:

http://www.qsisolutions.com/news/qaris_shipping_070807.html

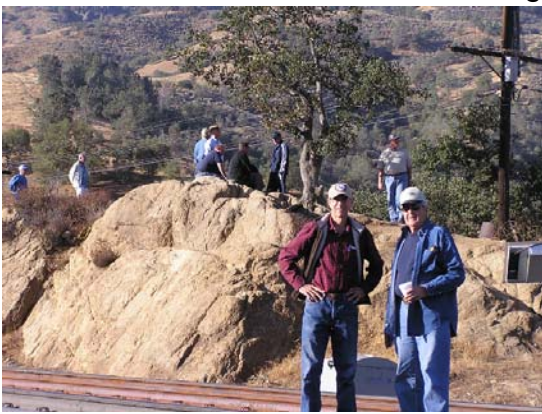
Until Next Month, Happy Railroading!!!!

fun2rr@msn.com

More highlights from Tehachapi



Are these models or the real thing? Real trains on many levels at the Horseshoe Curve.



Waiting for trains, Bob Rauperstrauch and Jack Johnson by the tracks (close up, of course) and the others take the high ground on a big rock to look for trains.!



Above and below, Bob Clarkson's layout in Riverside takes 1/3 of an acre. It is quite a sight with the swimming pool sized lakes and ponds. As seen in Garden Railways Magazine, it is every bit as impressive as it is in print.



Terry & Alice Churchill lost everything in the Scripps fire near San Diego with nothing left of the property except the planter blocks. They proved what could be done with the help and kindness of neighbors and friends. They are in a beautiful new home on the same property and the railroad has been rebuilt as well and is looking good.



Listing of Candidates for the ABTO Board 2008-09

These are the candidates currently running for office. The ballot for voting will be published in the November Newsletter. Ballots will be collected, opened, and counted at the November meeting. One vote per family. Announcements of winners will be at that meeting. More information will be included in the November newsletter. No newsletter in December.

Nominees for the Board

President	Tony Vacek
Vice -President	Jim Snyder
	Mike Temenski
Treasurer	Patience Hoag
	Jim Kangas
Secretary	Denis Conte
Member at Large	Glenn Sampson
	Al Wendler

G-scale Piko, Pola, scratch-built, jigstone and kit bashed buildings; all in good condition. Come and take a look!
I am looking for European-themed trains and accessories. If you're interested, give Dan a call: 602-799-1356.

WANTED; POLA AND PIKO EUROPEAN THEMED KITS OR PARTIALLY BUILT STRUCTURES. FADED OR MISSING PARTS O.K.

Call BILL NAGLE: 480-899-9054.

To attend, follow instructions, then CUT OUT & MAIL 

ABTO Christmas Dinner Party

DATE: *Saturday, December 1, 2007*
PLACE: *Landmark Restaurant—Victoria Room (480)-962-4652*
809 W. Main St - Mesa, AZ 85201
TIME: *Cash Bar, 5:00—dinner*
Dinner, 5:45
COST: *\$28.50 each*

The following selections must be made and returned with your **RSVP** and check (payable to ABTO) to:
[Gerry Pfeiffer, 833 N. Thunderbird Ave., Gilbert, AZ 85234](mailto:Gerry.Pfeiffer@landmarkrestaurant.com) **No later than NOV. 17.**

- Menu:** *Water, Garden Salad, Rolls & Butter,*
choice of beverage (coffee, iced or hot tea, soft drink)
- Your Choice:** (A) *Prime Rib / Au Jus, seasonal vegetables & cheddar, bacon & chive mashed potato.*
 (B) *Champagne Chicken /cream sauce, seasonal vegetables, cheddar, bacon & chive mashed potato.*
 (C) *Atlantic Salmon /citrus butter sauce, seasonal vegetables, and rice pilaf.*
 (D) *Over Stuffed Pork Chop with corn bread/apple dressing, tangy cider glaze, seasonal vegetables & cheddar, bacon & chive mashed potato.*

Dessert, your choice: (A) *Chocolate Cake*
 (B) *N.Y. Cheese Cake*

Your Name:	Spouse Name:
Choice of Entree: (A) (B) (C) (D)	Choice of Entree: (A) (B) (C) (D)
Choice of Dessert: (A) (B)	Choice of Dessert: (A) (B)

Circle your choices and return with check to the address above by Nov. 17
For Map and Directions, go to www.landmarkrestaurant.com